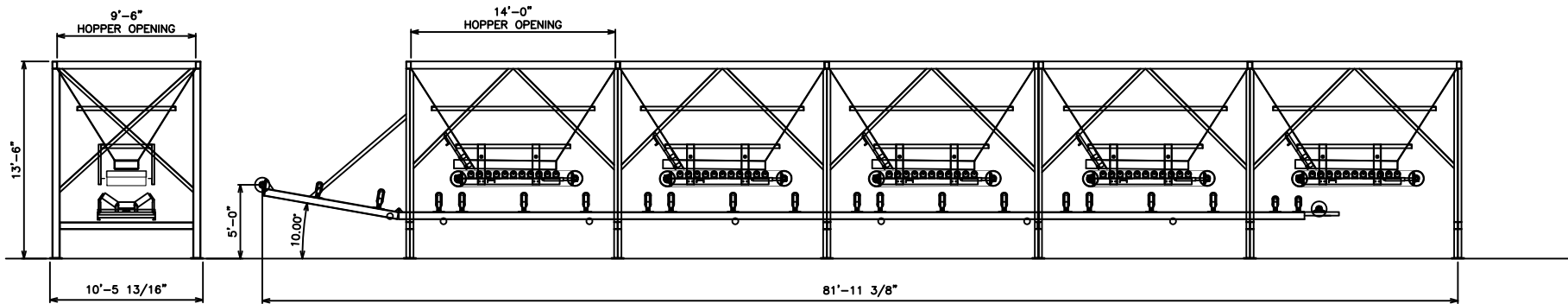
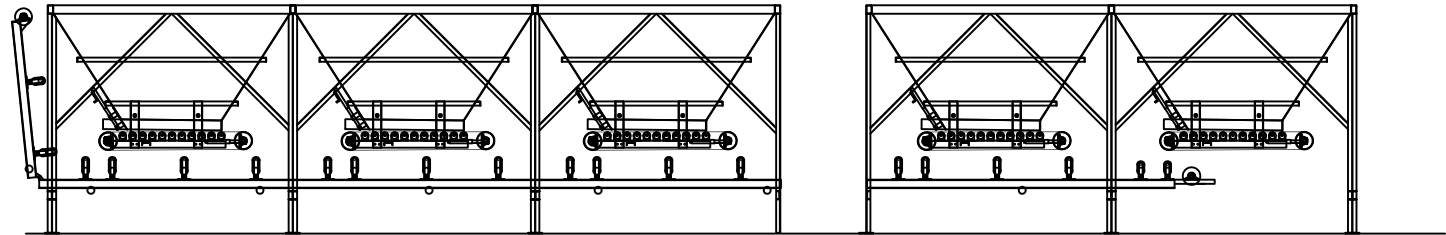


TRANSPORT POSITION



OPERATING POSITION

DRN.	MTB	DATE	03/16/07
TOLERANCE: $\pm 1"$			
SCALE	NOT TO SCALE		



CUSTOMER	REF.#
TITLE	MODEL# 108-5S
GENERAL ARRANGEMENT-STATIONARY 5 BIN BLENDING HOPPER	
	DWG.#