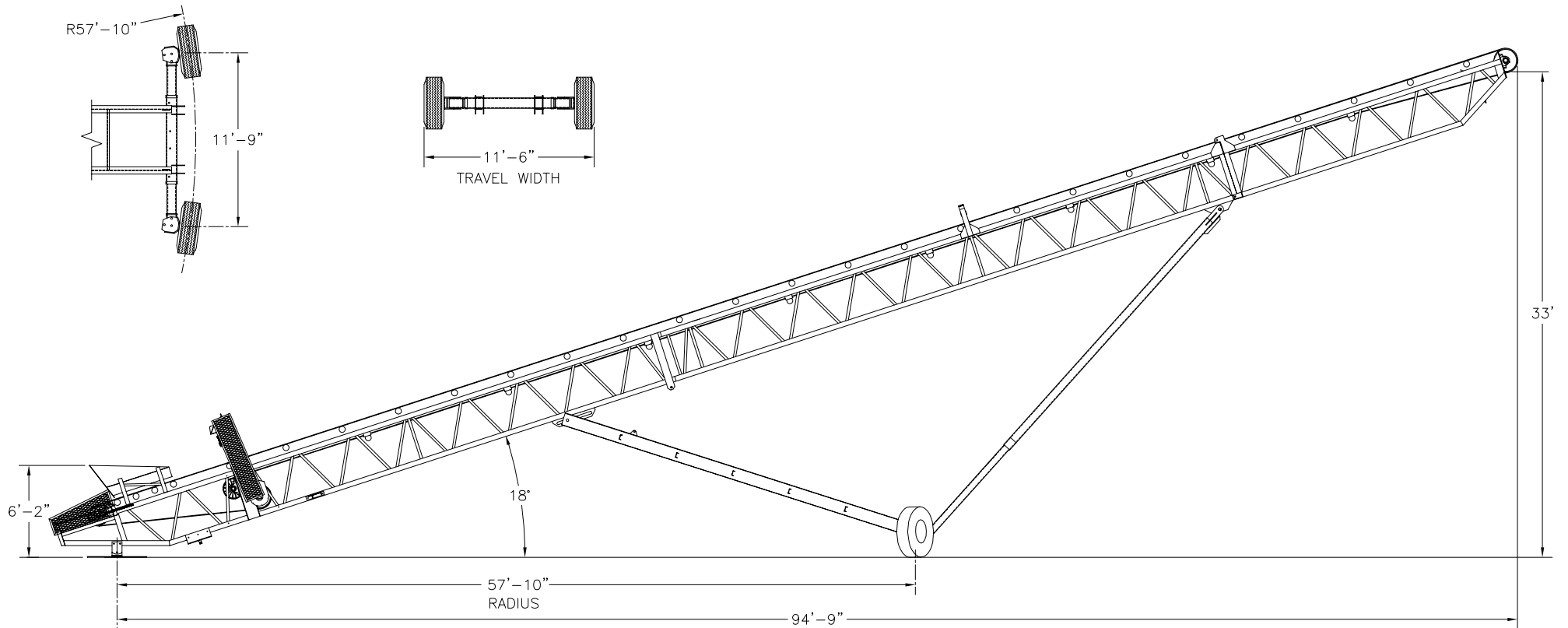


**TRAVEL POSITION**



**OPERATING POSITION**

DRN.	MLS	DATE	1/11/00
TOLERANCE:			± 1"
SCALE:			NOT TO SCALE



CUSTOMER		REF.#	502
TITLE	100' RADIAL STOCKPILING CONVEYOR GENERAL ARRANGEMENT		MODEL#
		DWG.#	1120