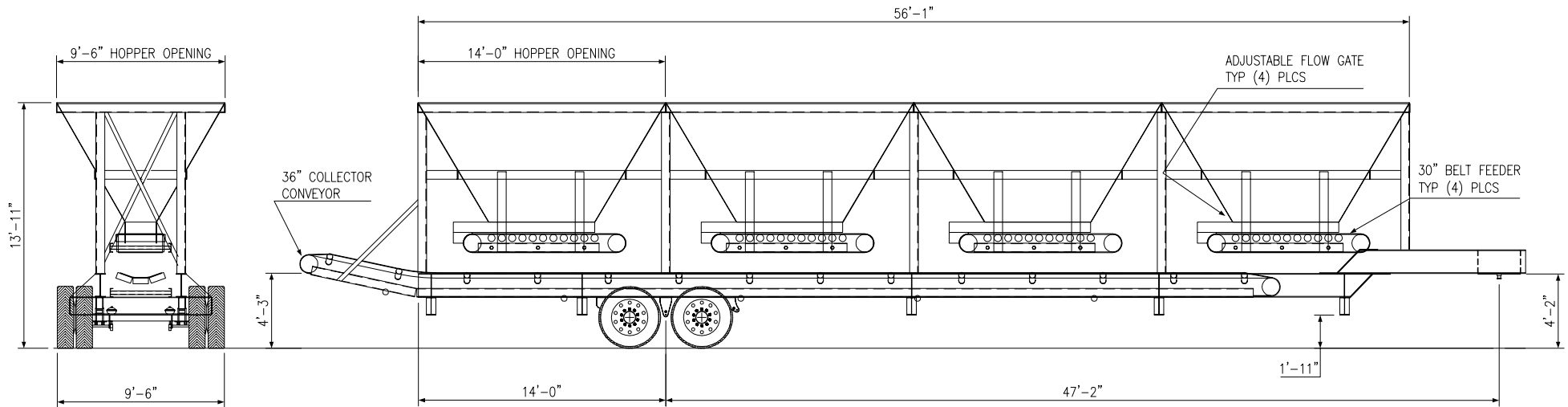


PLAN VIEW



ELEVATION VIEW

| | | | |
|---------------------|-----|------|---------|
| DRN. | MLS | DATE | 4/13/01 |
| TOLERANCE: ± 1" | | | |
| SCALE: NOT TO SCALE | | | |



| | | |
|---|--------|---------|
| CUSTOMER | REF.# | RS14881 |
| TITLE | MODEL# | |
| PORTABLE 4 BIN BLENDING HOPPER GENERAL ARRANGEMENT | DWG.# | 1151-A |