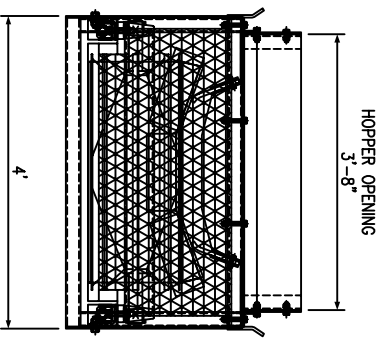
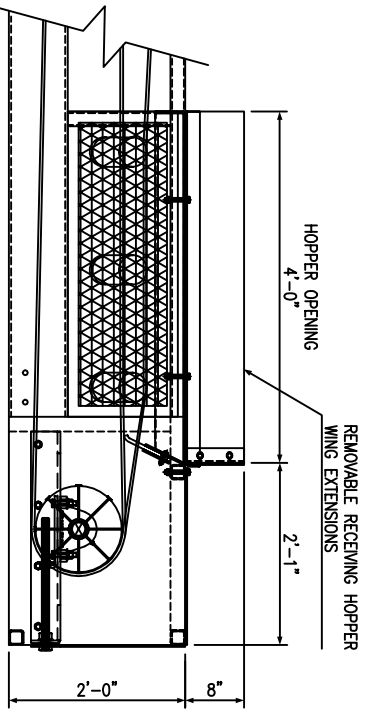
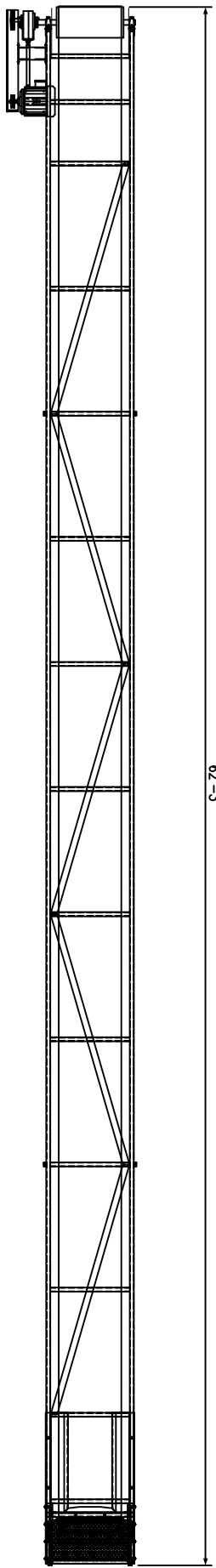


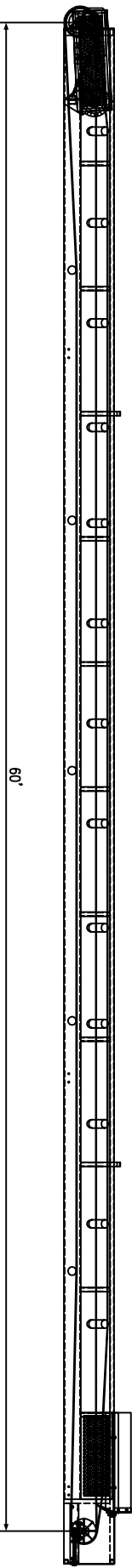
FRONT VIEW



BACK VIEW



PLAN VIEW



ELEVATION VIEW

DATE	7/28/01
DESIGNER	MSB
TOLERANCE	± 1"
SCALE	NOT TO SCALE



CUSTOMER
TITLE 36" x 60' STACKABLE CONVEYOR
GENERAL ARRANGEMENT

REV # 501
MODEL #
DWG # 1166-B