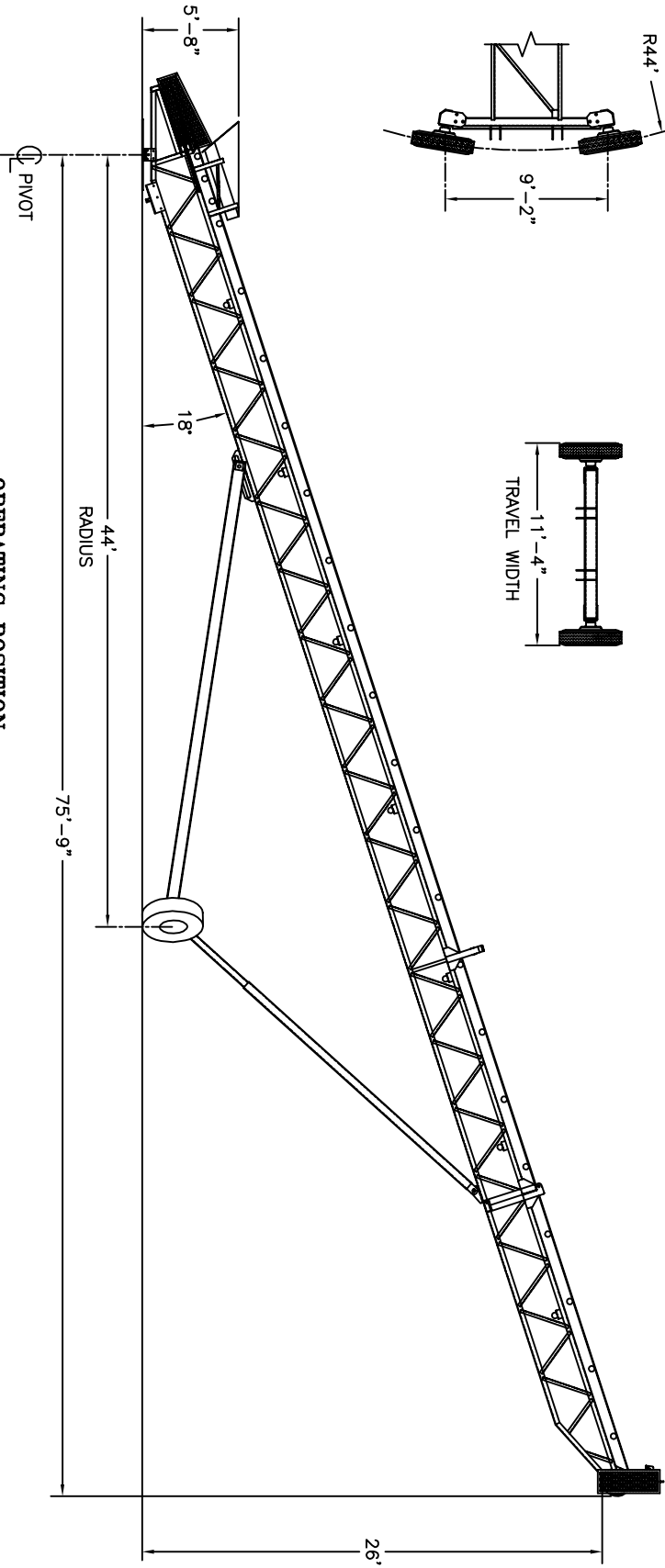
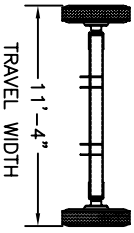
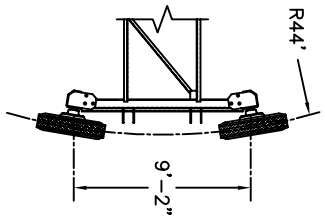


TRAVEL POSITION



OPERATING POSITION

DATE	BY	DATE
1/11/00		
TOLERANCE	± 1"	
SCALE	NOT TO SCALE	



CUSTOMER	PROJECT
80° RADIAL STOCKPILING CONVEYOR	GENERAL ARRANGEMENT

REV	DATE
502	
1121-A	