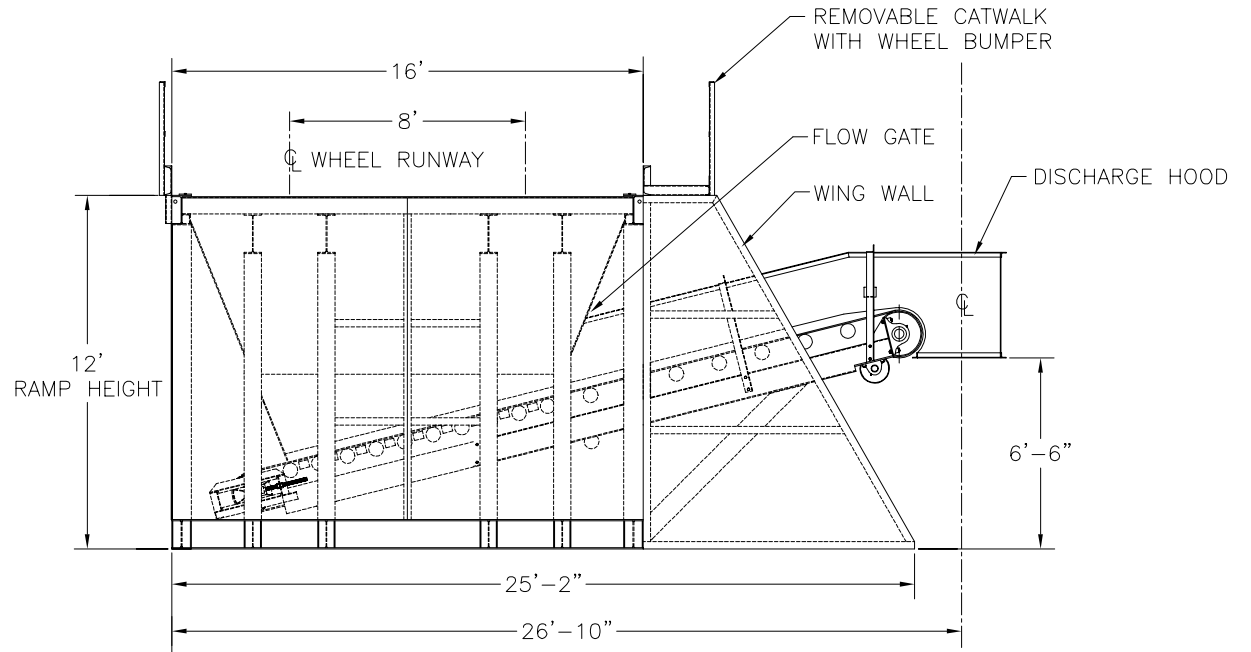
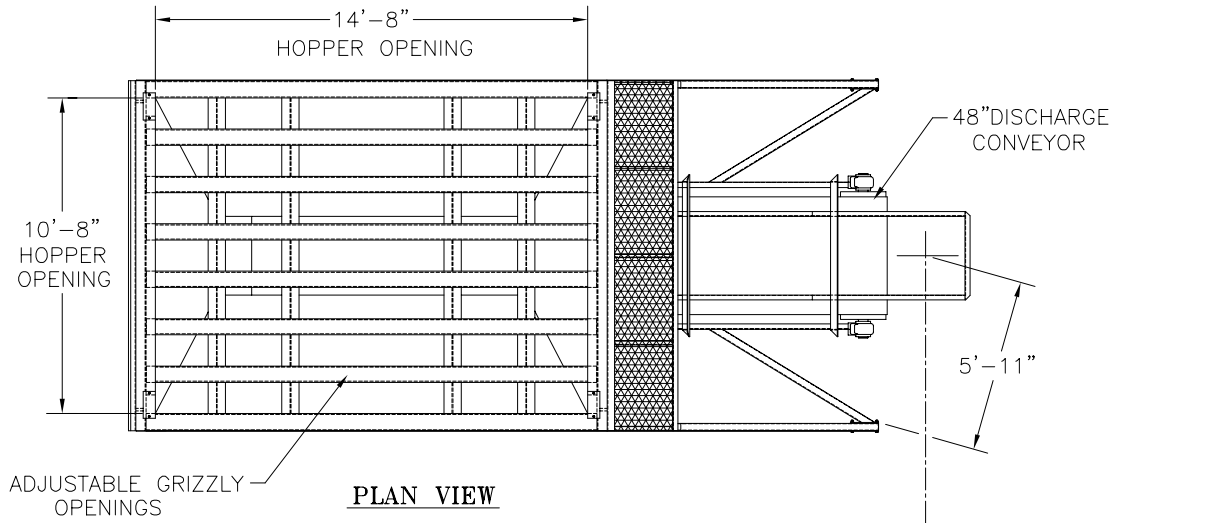
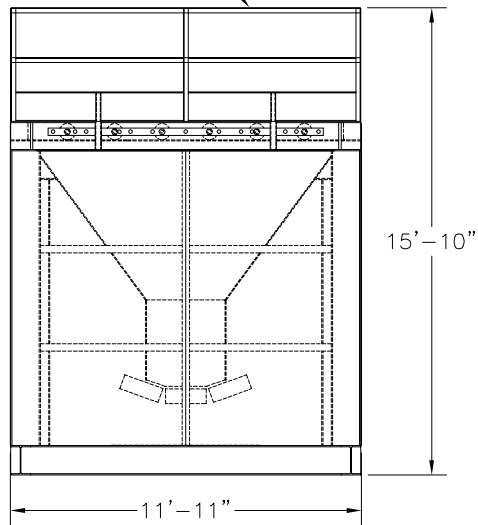


TRAFFIC FLOW

REMOVABLE HANDRAIL WITH WHEEL BUMPER



DRN.	MLS	DATE	8/11/98
TOLERANCE:			± 1"
SCALE:			NOT TO SCALE



TITLE	DRIVE-OVER UNLOADER 30 TON CAPACITY - 22 CU/YDS GENERAL ARRANGEMENT	REF.#	104
		MODEL#	104-B
		DWG.#	1001-A